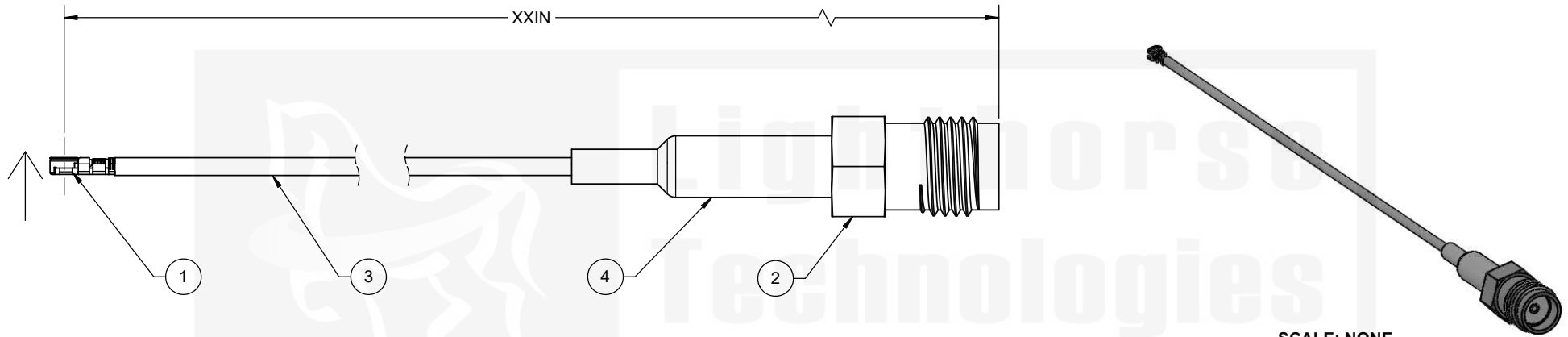


-XX IN THE ENDING OF THE CABLE PART NUMBER IS CALLING OUT THE LENGTH OF THE ASSEMBLY FROM CENTER TO MATING FLANGE OF CONNECTORS. EXAMPLES SHOWN BELOW:

LTI P/N: CB1.17LL-IPX4L-SAFGT-4IN (4 INCHES)
 CB1.17LL-IPX4L-SAFGT-10IN (10 INCHES)

REVISIONS				
REV	ECR	DESCRIPTION	DRAWN	DATE
1		PRODUCTION RELEASE	M. LARSEN	08/08/2022



SCALE: NONE

ITEM	PART NUMBER	DESCRIPTION	QTY
1	IPX4LLF11GPB-113	IPX4L (MHF4L), RHT ANGLE, JACK, CABLE CRIMP (I-PEX 20565-001R-13)	1
2	SASF11GT-316	SMA, STRAIGHT, JACK CABLE CRIMP	1
3	1.17LL MICRO COAX	CABLE, 1.17LL LOW LOSS MICRO COAX, GRAY	AR
4	1635F-1/8"	.125 (1/8) DIA, .75 LENGTH, GREEN	1

IPX® AND MHF® ARE REGISTERED TRADEMARKS OF I-PEX CO., LTD. CORPORATION

DO NOT SCALE DRAWING			Lighthouse Technologies San Diego, CA WWW.RFCONNECTOR.COM	
TOLERANCES UNLESS OTHERWISE SPECIFIED DIMENSIONS ARE IN MILLIMETERS X = ±0.5 XX = ±0.25 XXX = ±0.13 ANGLE = ±30°			TITLE: CABLE ASSEMBLY, IPX4L (MHF4L), R/A JACK, CRIMP TO SMA, JACK, CRIMP, USING 1.17LL (LOW LOSS) MICRO COAX, GRAY	
THIRD ANGLE PROJECTION		CUSTOMER APPROVAL		
SIGN / DATE:		SIZE	PART/DWG. NO:	REV
ENG APPR.	P. BURDGE 08/08/2022	B	CB1.17LL-IPX4L-SAFGT-xxIN	A
CHECKED	M. HELD 08/08/2022			
DRAWN	M. LARSEN 08/08/2022			
NAME	DATE	SCALE: 4:1	FILE NAME	SHEET 1 OF 1

PROPRIETARY AND CONFIDENTIAL

UNLESS OTHERWISE SPECIFIED: THIS DOCUMENT CONTAINS LIGHORSE TECHNOLOGIES INFORMATION. REPRODUCTION, USE, DISCLOSURE OR TRANSMITTAL OF ALL OR ANY PART OF THIS DOCUMENT IS PROHIBITED EXCEPT TO THE EXTENT APPROVED IN WRITING BY AN AUTHORIZED REPRESENTATIVE OF LIGHORSE TECHNOLOGIES. LIGHORSE TECHNOLOGIES RESERVES ALL RIGHTS UNDER PATENTS, TRADEMARKS, COPY RIGHTS AND TRADE SECRETS. COPY RIGHTS OF LIGHORSE TECHNOLOGIES 2011, ALL RIGHTS RESERVED.

