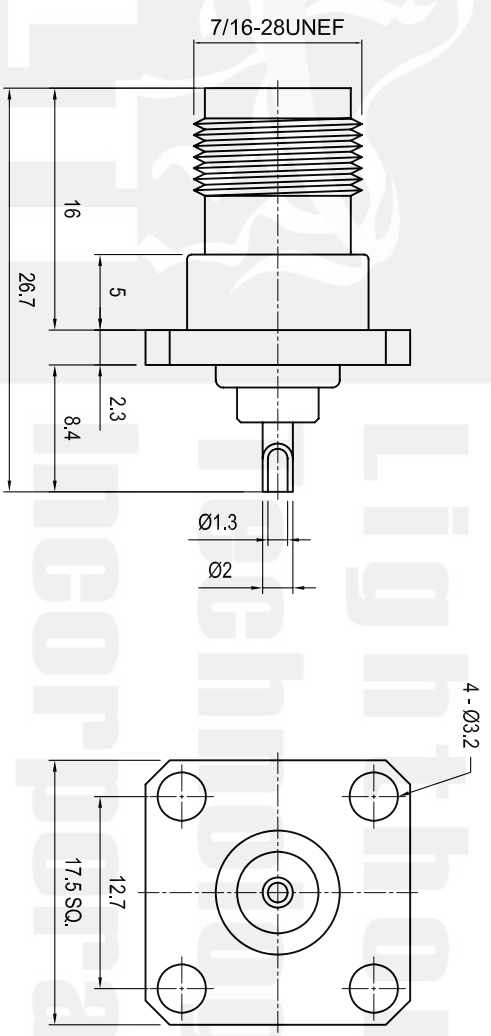


Revisions		Approved	Date
Description/Approved/Date	Checked	M.H.	Date
	Drawn	T.J.A.	04/04/05
			Date

Tolerances
1-20=+/-0.2
20-30=+/-0.3
30-40=+/-0.4
40-50=+/-0.5
50-100=+/-0.75
100-300=+/-1.5
Angles=+/-1

Dimensions are in Millimeters

NOTES (plating thickness in microinches):
1. Per QQ-B-626
2. Per QQ-S-764
3. Per QQ-C-530
4. Per QQ-B-750
5. Per MIL-P-19488
6. Per ZZ-R-765
7. Per WW-1-799
8. Gold pl. 5 min. over nickel pl. 50 min. over copper strike
9. Nickel pl. 100 min. over copper strike
10. Per QQ-P-35
11. Gold pl. 5 min. over nickel pl. 50 min. over copper strike



ITEM	MATERIAL	FINISH
Connector Body	Brass, Note 1	Gold, Note 8
Center Contact: Female	Brass, Note 1	Gold, Note 11
Insulation	Teflon, Note 5	None
Ferrule		
Gasket		
Hex Nut		
Lock Washer		

Lighthorse Technologies, Inc.
9511 Ridgely Court, Suite B
San Diego, California 92123

Part Number:
LTI-TSF42NT

Description TNC 4 hole flange panel mount jack with solder cup.		
Scale	Drawing No.	File Name
1:1	TSF42	TSF42