

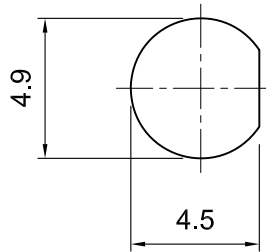
All components used in this connector conform to RoHS standards.



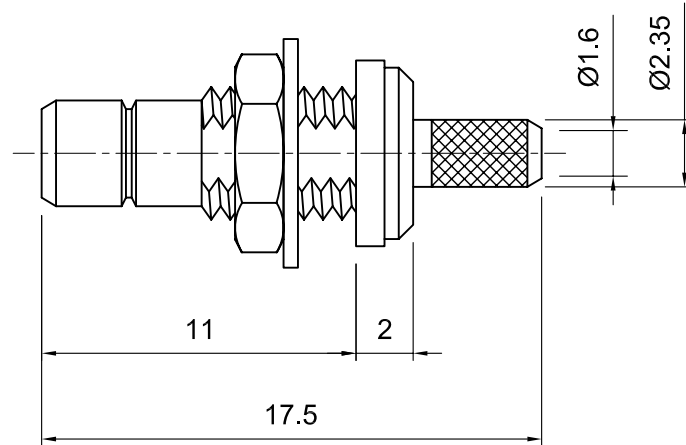
**Tolerances**  
 1-20=+/-0.2  
 20-30=+/-0.3  
 30-40=+/-0.4  
 40-50=+/-0.5  
 50-100=+/-0.75  
 100-300=+/-1.5  
 Angles=+/-1  
**Dimensions are in Millimeters**

Revisions Description/Approved/Date	Approved M.H.	Date 05/04/04
	Checked M.H.	Date 05/04/04
	Drawn T.J.A.	Date 05/04/04
NOTES (plating thickness in micro-inches): 1. Per QQ-B-626 2. Per QQ-S-764 3. Per QQ-C-530 4. Per QQ-B-750 5. Per MIL-P-19468 6. Per ZZ-R-765 7. Per WW-T-799 8. Gold pl. 5 min. over nickel pl. 50 min. over copper strike 9. Nickel pl. 100 min. over copper strike 10. Per QQ-P-35 11. Gold pl. 30 min. over nickel pl. 50 min. over copper strike		

**Approved by:**  
**Date:**



MOUNTING HOLE CUTOUT



ITEM	MATERIAL	FINISH
Connector Body	Brass, Note 1	Gold, Note 8
Center Contact: M	Brass, Note 1	Gold, Note 11
Insulation	Teflon, Note 5	None
Ferrule	Annealed Copper, Note 7	Same as body
Gasket	--	None
Hex Nut	Brass, Note 1	Same as body
Lock Washer	Brass, Note 1	Same as body

**Lighthouse Technologies, Inc.**  
 9511 Ridgehaven Court, Suite B  
 San Diego, California 92123  
 Part Number:  
**LTI-SBSF13RGT-316**

Description SMB straight bulkhead crimp jack for R-316 cable.		
Gold plated brass body, Teflon dielectric.		
Scale 3:1	Drawing No. SBSF13RGT-316	File Name SBSF13R-316