

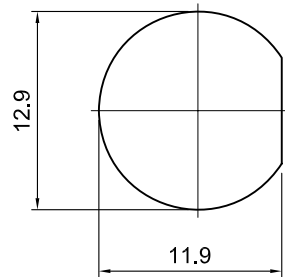
All components used in this connector conform to RoHS standards.



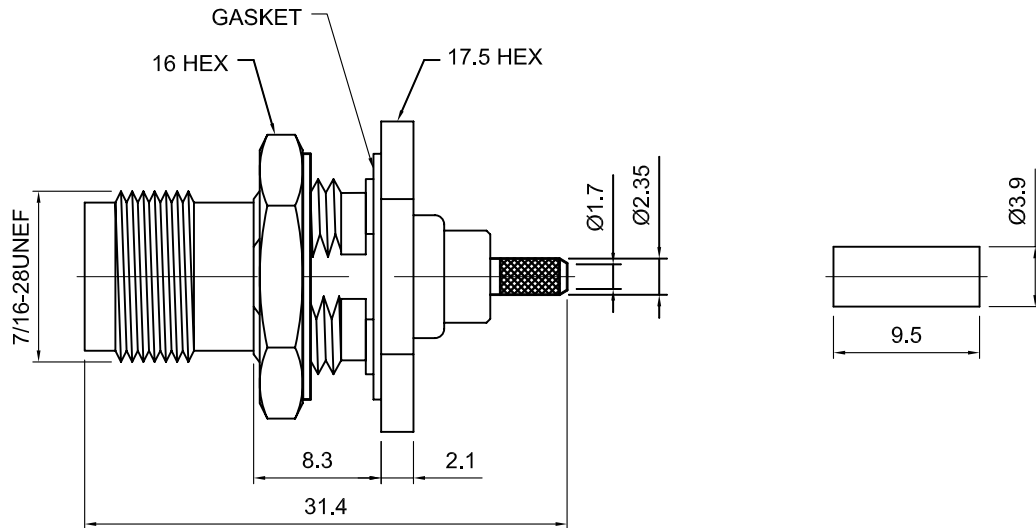
Tolerances
 1-20=+/-0.2
 20-30=+/-0.3
 30-40=+/-0.4
 40-50=+/-0.5
 50-100=+/-0.75
 100-300=+/-1.5
 Angles=+/-1
Dimensions are in Millimeters

Revisions Description/Approved/Date	Approved M.H.	Date 08/20/01
	Checked M.H.	Date 08/19/01
	Drawn K.R.E.	Date 08/17/01
NOTES (plating thickness in micro-inches): 1. Per QQ-B-626 2. Per QQ-S-764 3. Per QQ-C-530 4. Per QQ-B-750 5. Per MIL-P-19468 6. Per ZZ-R-765 7. Per WW-T-799 8. Gold pl. 5 min. over nickel pl. 50 min. over copper strike 9. Nickel pl. 100 min. over copper strike 10. Per QQ-P-35 11. Gold pl. 30 min. over nickel pl. 50 min. over copper strike		

Approved by:
Date:



RECOMMENDED MOUNTING HOLE



ITEM	MATERIAL	FINISH
Connector Body	Brass, Note 1	Nickel, Note 9
Center Contact: Female	Beryllium Copper, Note 3	Gold, Note 11
Insulation	Teflon, Note 5	None
Ferrule	Annealed Copper, Note 7	Same as body
Gasket	--	--
Hex Nut	Brass, Note 1	Same as body
Lock Washer	Brass, Note 1	Same as body



Lighthouse Technologies, Inc.
 9511 Ridgehaven Court, Suite B
 San Diego, California 92123
 Part Number:
LTI-7TTSF13RNT-316

Description
 75 Ohm TNC rear mount bulkhead crimp jack for RG 179,
 3.5 max panel. Nickel plated Brass body, Teflon dielectric.

Scale 2:1	Drawing No.	File Name 7TSF13-179
--------------	-------------	-------------------------