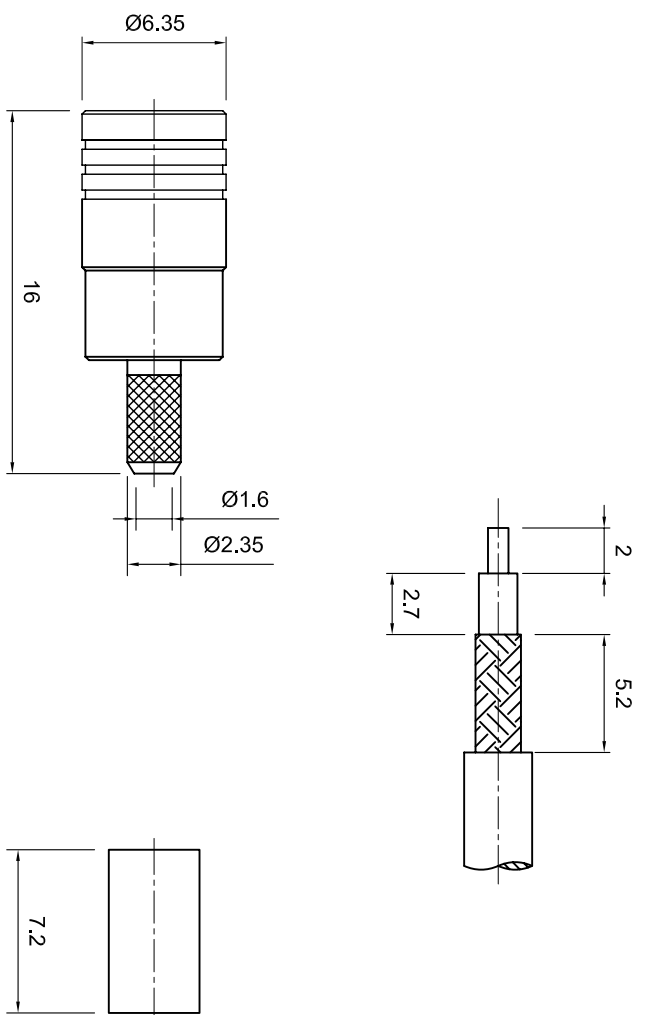



Tolerances 1-20=+/-0.2 20-30=+/-0.3 30-40=+/-0.4 40-50=+/-0.5 50-100=+/-0.75 100-300=+/-1.5 Angles=+/-1	Revisions Description/Approved/Date		Approved M.H.	Date 9/07/04
	Checked M.H.		Date 9/07/04	
Dimensions are in Millimeters	Drawn K.R.E.		Date 9/07/04	
	NOTES (plating thickness in microinches): 1. Per QQ-B-626 2. Per QQ-S-764 3. Per QQ-C-530 4. Per QQ-B-750 5. Per MIL-P-19488 6. Per ZZ-R-765 7. Per WW-1-799 8. Gold pl. 5 min. over nickel pl. 50 min. over copper strike 9. Nickel pl. 100 min. over copper strike 10. Per QQ-P-35 11. Gold pl. 5 min. over nickel pl. 50 min. over copper strike			

**RECOMMENDED
CABLE STRIPPING DIM'S**



ITEM	MATERIAL	FINISH	 Lighthorse Technologies, Inc. 4907 Morena Boulevard, #1411 San Diego, California 92117 Part Number: LT1-7SBSM11GT-179		
Connector Body	Brass, Note 1	Gold, Note 8			
Center Contact: M	Brass, Note 1	Gold, Note 11			
Insulation	Teflon, Note 5	None			
Ferrule	Annealed Copper, Note 7	Same as body			
Gasket		None			
Hex Nut		Same as body			
Lock Washer		Same as body			
Description					75 ohm SMB crimp plug receptacle for RG-179 cable group.
Scale					Gold plated brass body, teflon dielectric.
Drawing No.		7SBSM11-179	File Name	7SBSM11-179	