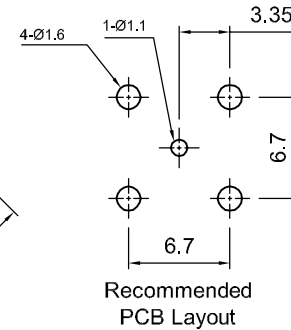
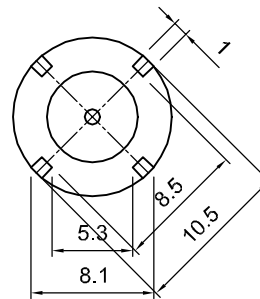
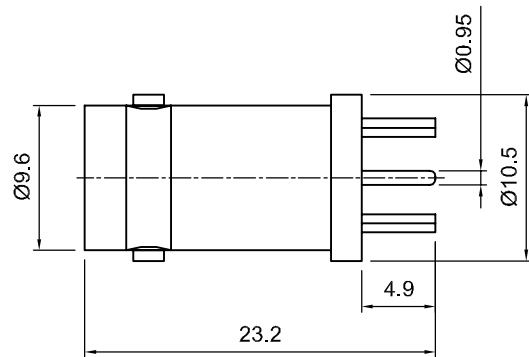



|  |  |                  |                  |
|--|--|------------------|------------------|
| <b>Tolerances</b><br>1-20=+/-0.2<br>20-30=+/-0.3<br>30-40=+/-0.4<br>40-50=+/-0.5<br>50-100=+/-0.75<br>100-300=+/-1.5<br>Angles=+/-1<br><b>Dimensions are in Millimeters</b>  | Revisions<br>Description/Approved/Date | Approved<br>M.H. | Date             |
|  |  | Checked<br>M.H.  | Date             |
|  |  | Drawn<br>T.J.A.  | Date<br>11/09/06 |
| <b>NOTES (plating thickness in micro-inches):</b><br>1. Per QQ-B-626<br>2. Per QQ-S-764<br>3. Per QQ-C-530<br>4. Per QQ-B-750<br>5. Per MIL-P-19468<br>6. Per ZZ-R-765<br>7. Per WW-T-799<br>8. Gold pl. 5 min. over nickel pl. 50 min. over copper strike<br>9. Nickel pl. 100 min. over copper strike<br>10. Per QQ-P-35<br>11. Gold pl. 5 min. over nickel pl. 50 min. over copper strike |  |                  |                  |



| ITEM                   | MATERIAL      | FINISH         | Lighthouse Technologies, Inc.   |  |           |
|------------------------|---------------|----------------|---|--|-----------|
| Connector Body         | Brass, Note 1 | Nickel, Note 9 | <br>5640 Kearny Mesa Road, Suite N<br>San Diego, California 92111<br>Part Number:<br><b>LTI-BSF54MND</b> | Description                                  |           |
| Center Contact: Female | Brass, Note 1 | Gold, Note 11  |   | BNC PCB thru hole jack (medium version).     |           |
| Insulation             | Delrin        | None           |   | Nickel plated brass body, Delrin dielectric. |           |
| Ferrule                |               |                | Scale   | Drawing No.                                  | File Name |
| Gasket                 |               |                | 2:1   |  | BSF54M    |
| Hex Nut                |               |                |   |  |           |
| Lock Washer            |               |                |   |  |           |