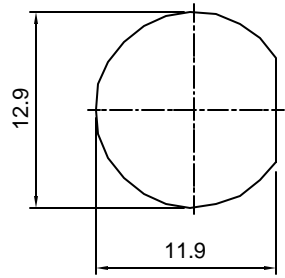
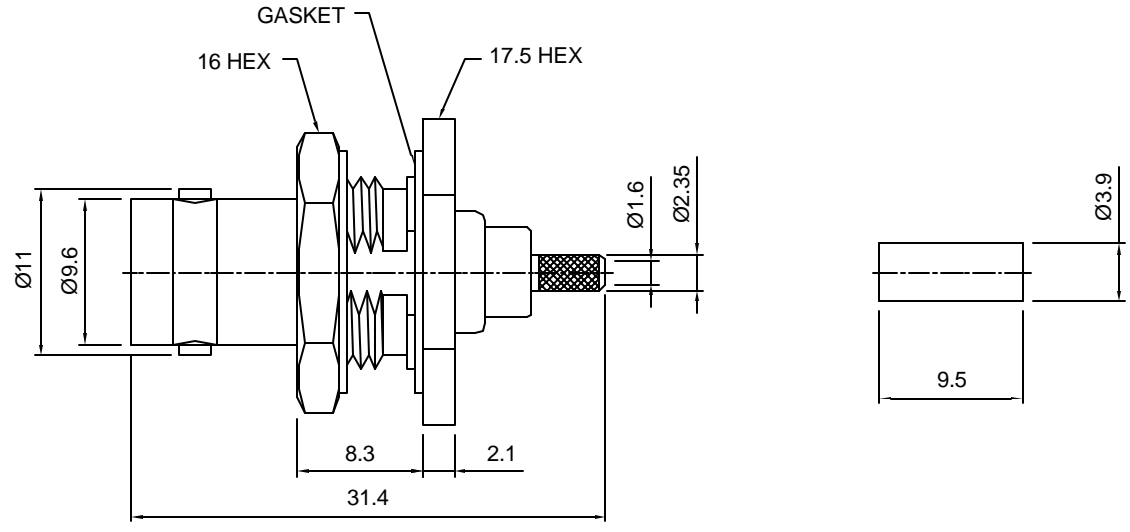



Tolerances 1-20=+/-0.2 20-30=+/-0.3 30-40=+/-0.4 40-50=+/-0.5 50-100=+/-0.75 100-300=+/-1.5 Angles=+/-1 Dimensions are in Millimeters	Revisions	Approved	Date
	Description/Approved/Date	M.H.	03/15/00
		Checked	Date
	M.H.	03/15/00	
	Drawn	Date	
	K.R.E.	03/11/00	
	NOTES (plating thickness in micro-inches): 1. Per QQ-B-626 2. Per QQ-S-764 3. Per QQ-C-530 4. Per QQ-B-750 5. Per MIL-P-19468 6. Per ZZ-R-765 7. Per WW-T-799 8. Gold pl. 5 min. over nickel pl. 50 min. over copper strike 9. Nickel pl. 100 min. over copper strike 10. Per QQ-P-35 11. Gold pl. 3 min. over nickel pl. 50 min. over copper strike		



RECOMMENDED MOUNTING HOLE



ITEM	MATERIAL	FINISH
Connector Body	Brass, Note 1	Nickel, Note 9
Center Contact: Female	Phosphor Bronze, Note 4	Gold, Note 11
Insulation	Teflon, Note 5	None
Ferrule	Annealed Copper, Note 7	Same as body
Gasket	Silicone Rubber, Note 6	None
Hex Nut	Brass, Note 1	Same as body
Lock Washer	Brass, Note 1	Same as body



Lighthouse Technologies, Inc.
4907 Morena Boulevard, #1411
San Diego, California 92117

Part Number:
LTI-BSF13RNT-316

Description
BNC bulkhead crimp jack for RG-316 cable. Nickel plated brass
body, teflon dielectric.

Scale 2:1	Drawing No.	File Name BSF13-316
--------------	-------------	------------------------